

Sight Flow Indicators (straight line) with *Spinner* with *pipe - thread* connection **BSP (G)** or **NPT**

NORIS

Bauform 881-RK
Bauform 881-RP

Application:

The flow indicators are used for optical control of fluids and gases, for horizontal and vertical pipe-lines.

Operating conditions:

Working pressure: max. 16 / 25 / 40 bar
Working temperature: max. 120°C or 260°C

Installation:

Optional. Take care of flow direction

Options:

with - Sight glass light - fittings

Materials:

Cast Iron GG 25 (EN-GJL-250) max. 16 bar
Cast Steel GS-C 25 (1.0619 / GP240GH)
Stainless Steel WN 1.4408

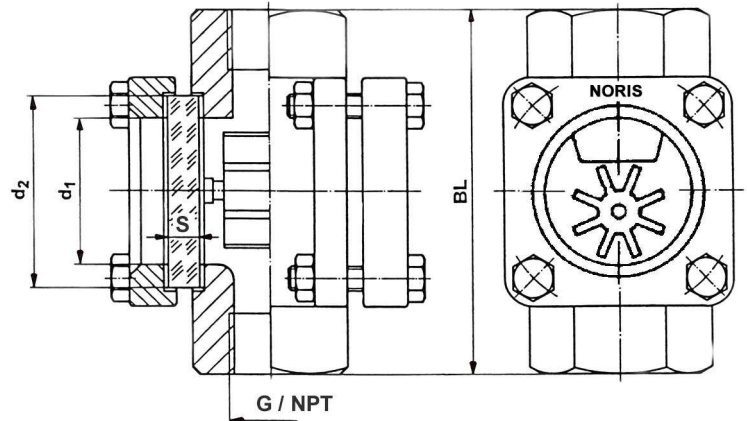
Body	GG 25	GS-C 25	1.4408
Covers	GG 25	GS-C 25	1.4408
Screws	4.6 / 5.6 gal.		A4-70
Glass	Borosilicate glass DIN 7080 (280°C) Soda lime glass DIN 8902 (150°C)		
Gaskets	Graphite, (or other materials)		
Spinner	Plastic up to 120°C; Bauform 881-RK PTFE up to 260°C; Bauform 881-RP		

Certificate: (Option)

Acc. to EN 10204-2.2 or 3.1

Ordering example:

Sight Flow Indicators with PTFE-Rotor
Bauform 881-RP
GS-C 25, Borosilicate glass DIN 7080-16 bar
G 3/4"



Dimensions:

BSP (G) or NPT	BL	d ₁	d ₂	Glass plate		
				S at		
				16 bar	25 bar	40 bar
1/4" 3/8" 1/2"	100	32	45	10	10	10
3/4" 1"	120	48	63	10	12	15
1 1/4" 1 1/2"	160	65	80	12	15	20
2"	230 180 (GG)	80	100	15	20	25

NPT-thread only in GS-C 25 or 1.4408

Modification reserved

NORIS ARMATUREN Burkenstein GmbH & Co. KG

Puscherstrasse 3
D-90411 Nürnberg

Telefon: +49 (0) 911 / 52 150 63
Telefax: +49 (0) 911 / 52 24 40

Internet: Noris-Armaturen.de
E-Mail: Noris@Noris-Armaturen.de